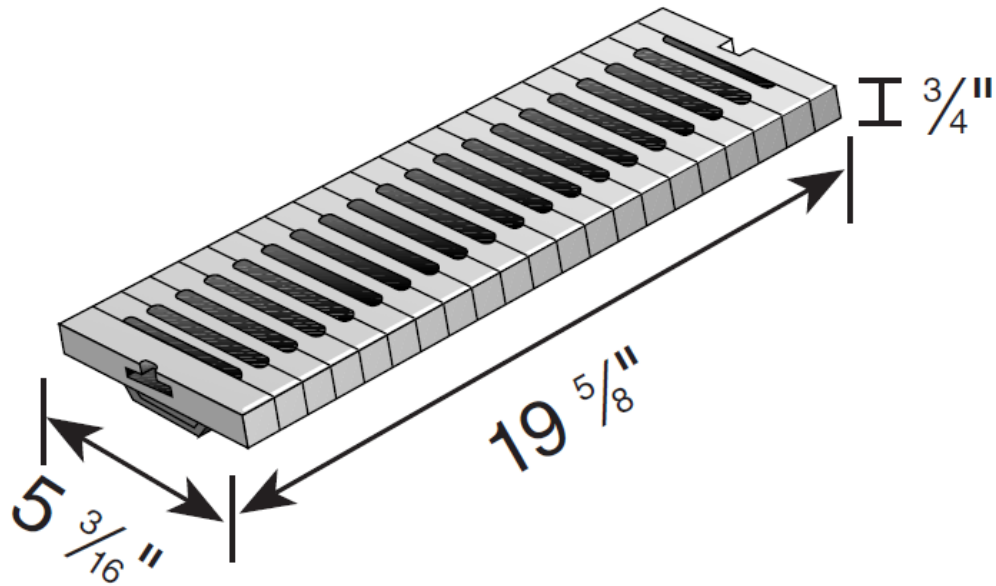


5 Inch Pro Series Grates



Part #: 828
 Material: High Impact Glass Reinforced Nylon
 Color: #828(Gray)
 Fits: 5" Pro Series Channel, Part# 820 (takes 1 grate) and Part# 800 (takes 2 grates)
 Grate Opening: 1/2" x 3"
 Open Surface Area: 17.50sq. Inch per Ft.
 Head Pressure / Flow Rate:
Head (inches) - Max Flow
 1" = 75.71 GPM
 0.5" = 53.53 GPM
 Weight per each: 2.35 lbs.
 Screw: #829 Stainless Steel Screw, 4 per grate.



Class C

- Loads of 176-325 psi.
- Recommended for heavy-duty pneumatic tire forklifts and tractor trailers at speeds less than 20 m.p.h., H-20 rated.

UV Inhibitors

ADA Compliant

Supplied By:

TRENCHDRAIN SUPPLY

877-903-7246

www.trenchdrainsupply.com



NDS
WE PUT WATER IN ITS PLACE